

# Selectone

## ST-139 APPLICATION NOTE #1378

FOR USE WITH: MOTOROLA MITREK

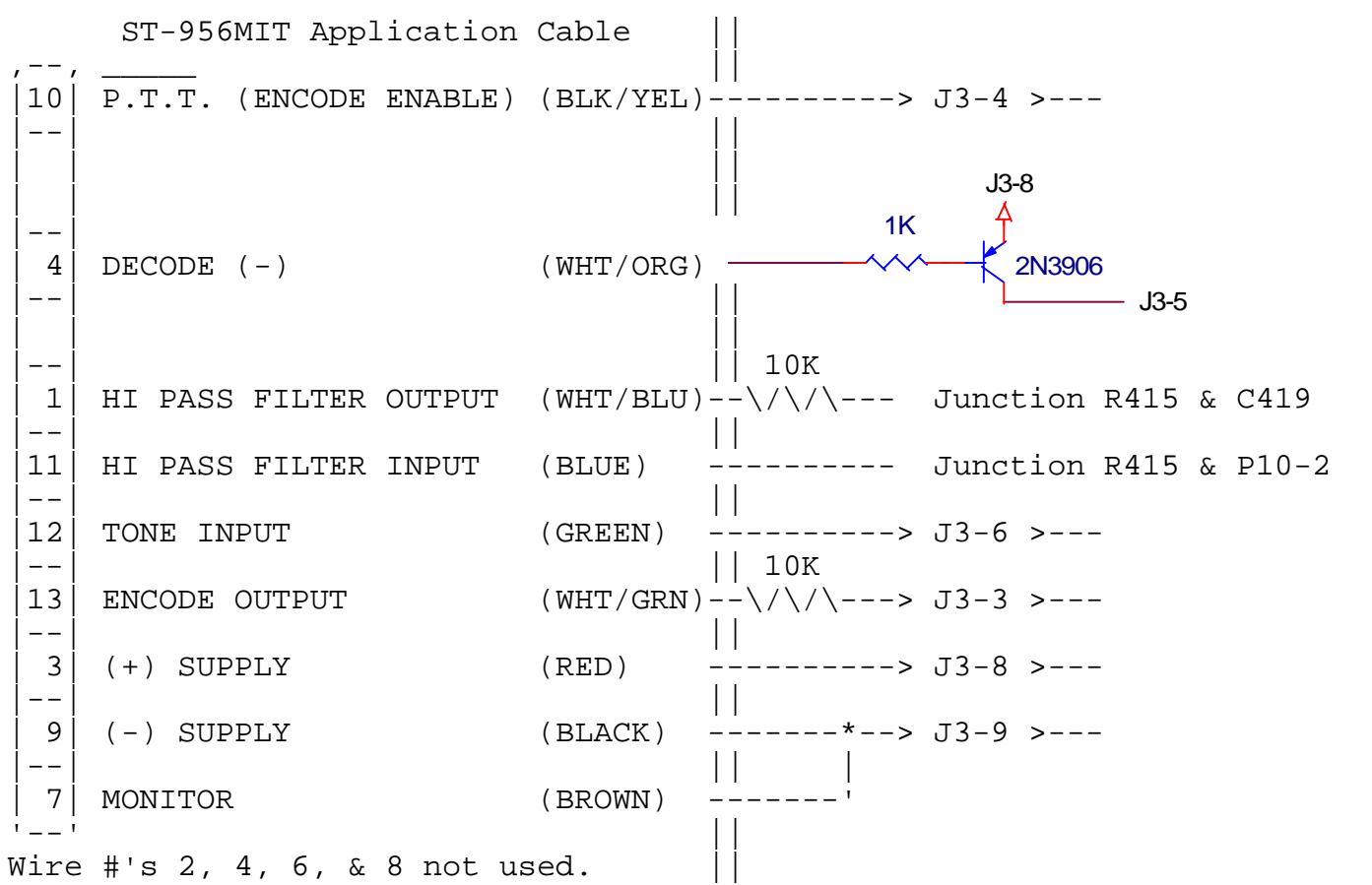
APPROVAL DATE: 16JUL97S BY:RTS

=====

### CONNECTIONS

TONE UNIT

RADIO



=====

### MODIFICATIONS

TONE UNIT

RADIO

USER: REMOVE JU1. Move JU2 To B.

Remove R415

Install a 10K 1/8W CF resistor in series with the WHT/BLU wire. Splice the BROWN wire to the BLACK wire. Install a 10K 1/8W CF resistor in series with the WHT/GRN wire. Add transistor and resistor.

**SELECTONE INC. • 3501 BREAKWATER AVE. HAYWARD, CA. 94545-1610 • (510) 781-0376**  
**(800) 227-0376 • FAX (510) 781-5454 • E-Mail admin@selectone.com**